

# *Hampton Bay Lifetime Motor Warranty*

The retailer warrants the fan motor to be free from defects in workmanship and material present at time of shipment from the factory for a lifetime after the date of purchase by the original purchaser. The retailer also warrants that all other fan parts, excluding any glass or plexiglass parts, to be free from defects in workmanship and material at the time of shipment from the factory for a period of one year after the date of purchase by the original purchaser. We agree to correct such defects without charge or at our option replace with a comparable or superior model if the product is returned to the retailer. To obtain warranty service, you must present a copy of the receipt as proof of purchase. All costs of removing and reinstalling the product are your responsibility. Damage to any part such as by accident or misuse or improper installation or by affixing any accessories, is not covered by this warranty. Because of varying climatic conditions in the United States this warranty does not cover any changes in brass finish, including rusting, pitting, corroding, tarnishing or peeling. Brass finishes of this type give their longest useful life when protected from varying weather conditions. A certain amount of wobble is normal and should not be considered a defect. Servicing performed by unauthorized persons shall render the warranty invalid. **There is no other express warranty. The retailer hereby disclaims any and all warranties, including but not limited to. Those of merchantability and fitness for a particular purpose to the extent permitted by law.** The duration of any implied warranty which cannot be disclaimed is limited to the time period as specified in the express warranty. Some states do not allow limitation on how long an implied warranty lasts, so the above limitation may not apply to you. **The retailer shall not be liable for incidental, consequential, or special damages arising out of or in connection with product use or performance except as may otherwise be accorded by law.** Some states do not allow the exclusion of incidental or consequential damages, so the above exclusion or limitation may not apply to you. This warranty gives specific legal rights, and you may also have other rights which vary from state to state. This warranty supersedes all prior warranties.

Date Purchased \_\_\_\_\_

Store Purchased \_\_\_\_\_

Model No. \_\_\_\_\_ 312-342

Serial No. \_\_\_\_\_

Vendor No. \_\_\_\_\_ 445993

UPC \_\_\_\_\_ 718212348895

# *Lifetime Motor Warranty*

<b>SAFETY RULES.....</b>	<b>1</b>
<b>PACKAGE CONTENTS .....</b>	<b>2</b>
<b>INSTALLING YOUR FAN.....</b>	<b>3</b>
<b>HANGING THE FAN.....</b>	<b>4</b>
<b>ELECTRICAL CONNECTIONS .....</b>	<b>5</b>
<b>FINISHING THE INSTALLATION.....</b>	<b>6</b>
<b>BLADE INSTALLATION .....</b>	<b>7</b>
<b>INSTALLING THE LIGHT BULB &amp; GLASS SHADE.....</b>	<b>8</b>
<b>OPERATING THE TRANSMITTER.....</b>	<b>9</b>
<b>CARE OF YOUR FAN.....</b>	<b>10</b>
<b>TROUBLESHOOTING.....</b>	<b>11</b>
<b>SPECIFICATIONS.....</b>	<b>12</b>

## *Table of Contents*

1. Before you begin installing the fan, **shut power off** at the circuit breaker or the fuse box.
2. Be cautious! Read all instructions and safety information before installing your new fan. Review accompanying assembly diagrams.
3. Make sure that all electrical connections comply with local codes, ordinances, or National Electrical Codes. Hire a qualified electrician or consult a do-it-yourself wiring handbook if you are unfamiliar with installing electrical wiring.
4. Make sure the installation site you choose allows the fan blades to rotate without any obstructions. Allow a minimum clearance of 7 feet from the floor and 18 inches from the tip of the blades to the wall.
5. If you are mounting the fan to a ceiling outlet box, use U.L. Listed metal octagonal outlet box marked "Acceptable for fan support". Secure the box directly to the building structure. The outlet box and its support must be able to support the moving weight of the fan (at least 50 lbs.) **Do not use a plastic box.**
6. **Caution:** To reduce the risk of personal injury use only the screws provided with the outlet box.
7. If you are mounting the fan to a joist, make sure it is able to support the moving weight of the fan (at least 50 lbs.).
8. After you install the fan, make sure that all mountings are secured to prevent the fan from falling.

9. Do not insert anything into the fan blades while the fan is operating.
10. Turn the fan off and wait for it to stop completely before changing the fan direction.

**ATTENTION:** The Energy Policy Act of 2005 requires this fan to be equipped with a 190 watt limiting device. If lamping exceeds 190 watts, the ceiling fan's light kit will shut off automatically.

**NOTE:** The important safeguards and instructions appearing in this manual are not meant to cover all possible conditions and situations that may occur. It must be understood that common sense, caution and care are factors which can not be built into this product. These factors must be supplied by the person(s) installing, caring for and operating the unit.

#### **NOTE**

READ AND SAVE ALL INSTRUCTIONS!

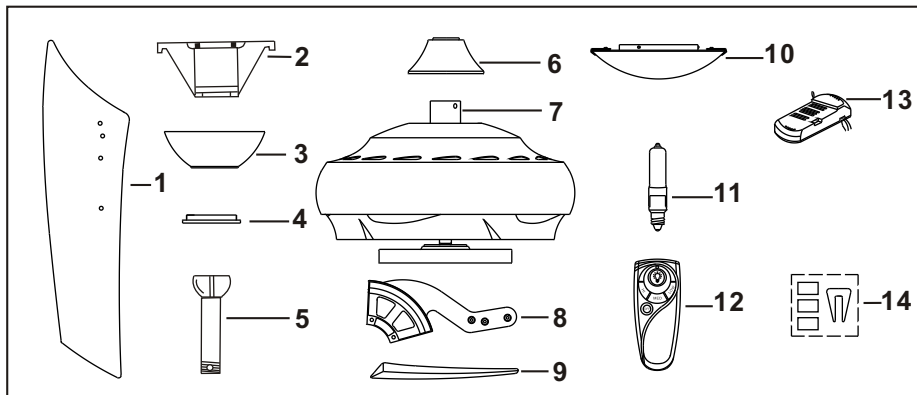
#### **WARNING**

TO REDUCE THE RISK OF FIRE, ELECTRIC SHOCK, OR OTHER PERSONAL INJURY, MOUNT FAN ONLY TO A U.L. LISTED OUTLET BOX OR SUPPORTING SYSTEM MARKED ACCEPTABLE FOR FAN SUPPORT AND USE MOUNTING SCREWS AND LOCK WASHERS PROVIDED WITH THE OUTLET BOX. MOST OUTLET BOXES COMMONLY USED FOR THE SUPPORT OF LIGHTING FIXTURES ARE NOT ACCEPTABLE FOR FAN SUPPORT AND NEED TO BE REPLACED. CONSULT A QUALIFIED ELECTRICIAN IF IN DOUBT.

TO REDUCE THE RISK OF PERSONAL INJURY, DO NOT BEND THE BLADE HOLDERS WHILE INSTALLING, BALANCING THE BLADES, OR CLEANING THE FAN. DO NOT INSERT FOREIGN OBJECTS BETWEEN ROTATING FAN BLADES.

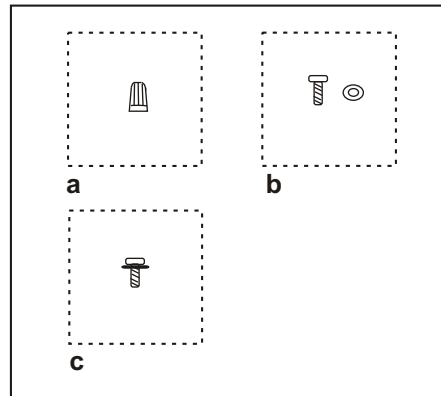
TO REDUCE THE RISK OF FIRE OR ELECTRIC SHOCK, DO NOT USE THIS FAN WITH ANY SOLID-STATE SPEED CONTROL DEVICE

# *1. Safety Rules*



Unpack your fan and check the contents. You should have the following items;

- |                       |                                                 |
|-----------------------|-------------------------------------------------|
| 1. Fan blades (5)     | 8. Blade holders (5)                            |
| 2. Hanger bracket     | 9. Blade medallions (5)                         |
| 3. Canopy             | 10. Glass Shade                                 |
| 4. Canopy cover       | 11. 100W Halogen bulb                           |
| 5. Downrod assembly   | 12. Hand held remote with (2) screws and holder |
| 6. Coupling cover     | 13. Receiver with 6 wire nuts                   |
| 7. Fan motor assembly | 14. Balancing kit                               |



- a. **Mounting hardware:**  
Wire nuts (3)
- b. **Blade attachment hardware:**  
Screws (16). Rubber washers (16)
- c. **Blade holder hardware:**  
Screws with lock washers (11)

## *Package Contents 2.*

## Tools Required

Phillips screw driver; slotted screw driver; step-ladder; wire cutters; electrical tape.

## Mounting Options

If there isn't an existing mounting box, then read the following instructions. Disconnect the power by removing fuses or turning off circuit breakers.

Secure the outlet box directly to the building structure. Use appropriate fasteners and building materials. The outlet box and its support must be able to fully support the moving weight of the fan (at least 50 lbs.). Use a UL Listed metal outlet box. Do not use a plastic outlet box.

Figure 1, 2 and 3 are examples of different ways to mount the outlet box.

**Note:** You may need a longer downrod to maintain proper blade clearance when installing on a steep, sloped ceiling. Longer downrods are available from your Hampton Bay dealer.

To hang your fan where there is an existing fixture but no ceiling joist, you may need to install a hanger bar as shown in Fig. 4 (available at our Hampton Bay dealer).

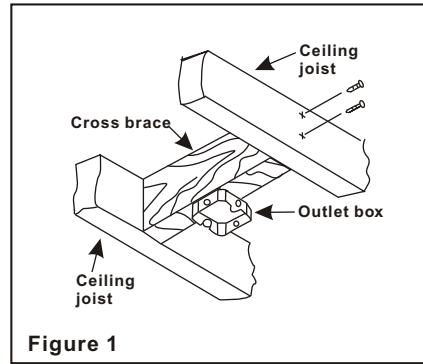


Figure 1

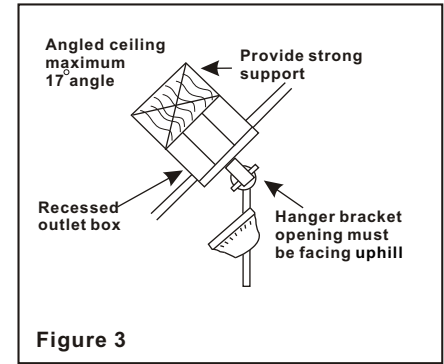


Figure 3

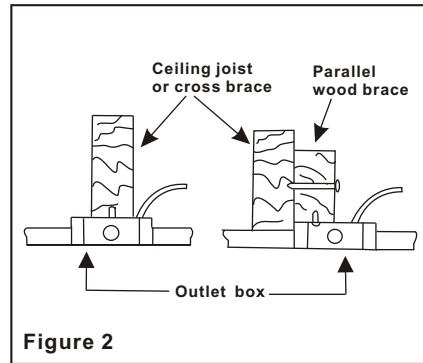


Figure 2

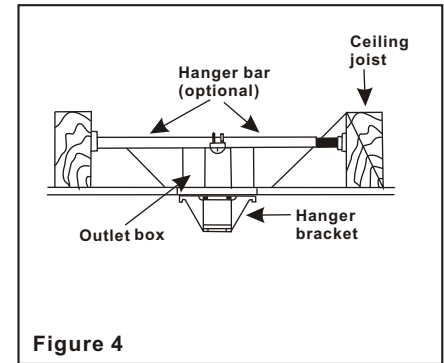


Figure 4

# 3. Installing Your Fan

**REMEMBER** to turn off the power. Follow the steps below to hang your fan properly:

**Step 1.** Secure the hanger bracket to the ceiling outlet box using screws and washers included with your outlet box. (Fig.5)

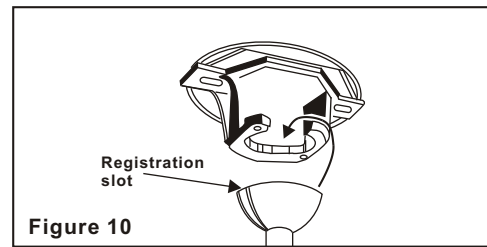
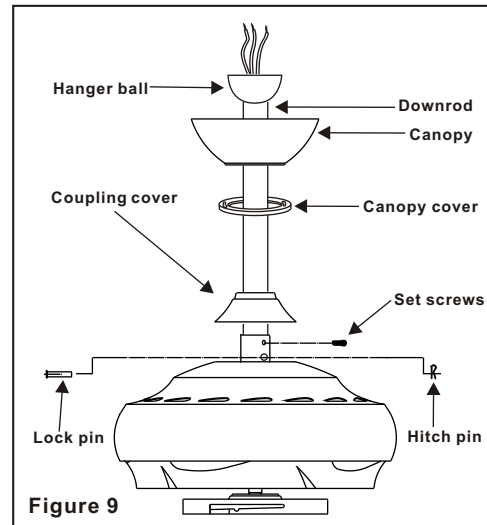
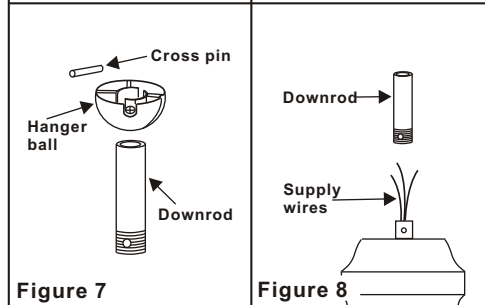
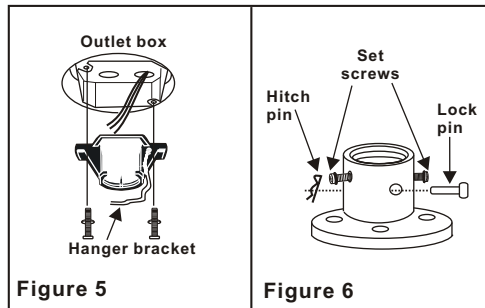
**Step 2.** Loosen the two set screws and remove the hitch pin and lock pin in the top coupling of the motor assembly. (Fig. 6)

**Step 3.** Remove hanger ball from downrod assembly by loosening set screw, removing the cross pin, and sliding ball off rod. (Fig.7)

**Step 4.** Carefully feed fan wires up through the downrod. (Fig. 8) Thread the rod into the coupling. Next line up holes and replace lock pin and hitch pin. Tighten set screws.

**Step 5.** Slip coupling cover, canopy cover, and canopy onto downrod. (Fig. 9) Carefully reinstall hanger ball onto rod being sure that cross pin is in correct position, set screws are tighten and wires are not twisted.

**Step 6.** Now lift motor assembly into position and place hanger ball into hanger bracket. Rotate until the check groove has dropped into the registration slot and seats firmly. (Fig. 10) Rod should not rotate if this is done correctly.



## *Hangin' the Fan 4.*

**WARNING:** To avoid possible electrical shock be sure electricity is turned off at the main fuse or breaker box before wiring.

**NOTE:** The Hand Held Remote or Wall Control units included with your ceiling fan are equipped with 16 code combinations to prevent possible interference from or to other remote units. The dip switches on your Receiver and Transmitter units have been preset at the factory, please re-check to make sure the switches on both units are set to the same positions. The frequency settings should be changed only in case of interference or if a second or more remote controlled ceiling fans are installed in the same structure. Any code combination will operate the ceiling fan and light as long as the Receiver and Transmitter units are set to the same codes (Fig. 11)

**Step 1.** Insert Receiver into Hanger Bracket with the flat side of the Receiver facing the ceiling. (Fig. 12)

**Step 2.** Motor to Receiver Electrical Connections: Connect the WHITE wire from the fan to the WHITE wire marked "TO MOTOR N" from the Receiver. Connect the BLACK wire from the fan to the BLACK Wire marked "TO MOTOR L"

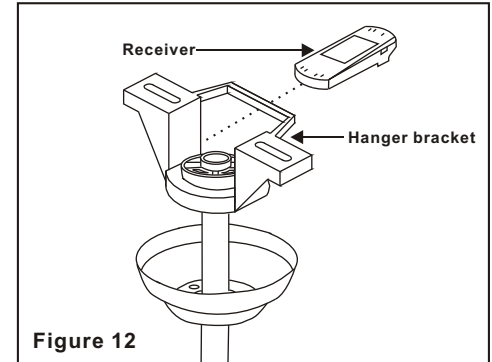
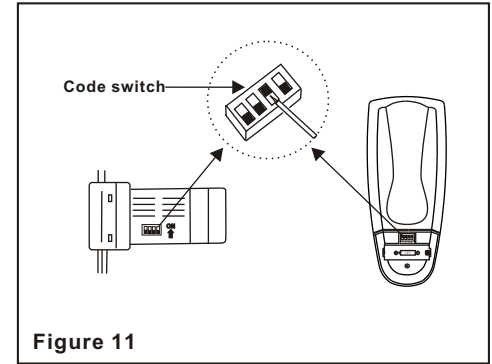
from the Receiver. Connect the BLUE wire from the fan to the BLUE wire marked "For Light" from the Receiver. **NOTE:** If your ceiling fan features an UP Light: Connect the ORANGE wire from the fan to the ORANGE wire marked "For Up Light" from the Receiver. Otherwise disregard this step and proceed to secure all wire connections with the plastic wirenuts provided. (Fig. 13 )

**Step 3.** Receiver to House Supply Wires Electrical Connections: Connect the WHITE wire (Neutral) from the outlet box to the WHITE wire marked "AC in N" from the receiver. Connect the BLACK wire (Hot) from the outlet box to the BLACK wire marked "AC in L" from the receiver. Secure all wire connections with the plastic wirenuts provided. (Fig. 13)

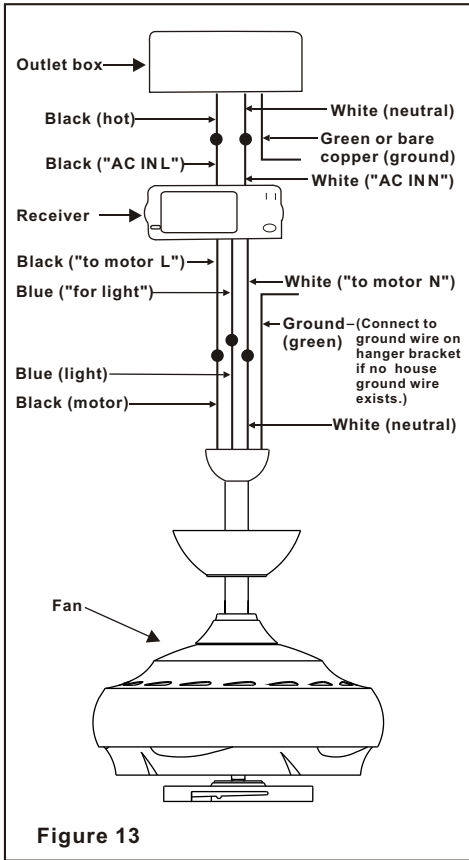
**Step 4.** If your outlet box has a GROUND wire (Green or Bare Copper) connect this wire to the Hanger Ball and Hanger Bracket Ground wires. If your outlet box does not have a Ground Wire, then connect the Hanger Ball and Hanger Bracket Ground Wires together. Secure wire connection with the plastic wirenut provided. (Fig. 13)

After all connectors are made, check to make sure there are no loose strands. As an additional precaution we suggest to secure the plastic wire connectors to the wires with electrical tape.

**Note:** The transmitter only works within 40 feet from receiver.



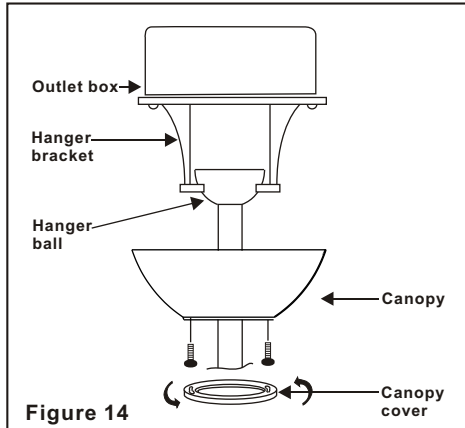
## 5. Electrical Connections



## 6. Finishing the Installation

**Step 1.** Tuck connections neatly into the ceiling outlet box.

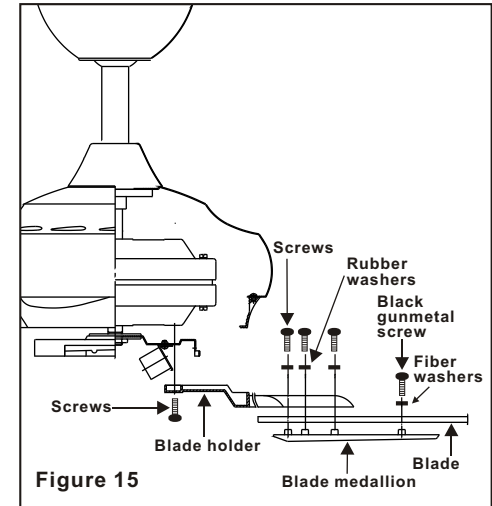
**Step 2.** Slide the canopy up to ceiling and over the two screws on hanger bracket. Rotate canopy clockwise. Next, while holding the canopy with one hand, slide the canopy cover over the screws and rotate clockwise until tight. **Note:** adjust the canopy screws as necessary until the canopy and canopy cover are snug. (Fig. 14)



## 7. Blade Installation

**Step 1.** Attach fan blade to the blade holder and blade medallion using the 4 screws and washers provided. (3 screws from the accessory bag, 1 black gunmetal screw pre-attached to the blade medallion). Tighten all 4 screws securely. (Fig. 15)

**Step 2.** Align holes from blade holder to motor and secure with 2 screws provided. Repeat procedure with remaining blades. (Fig. 15)



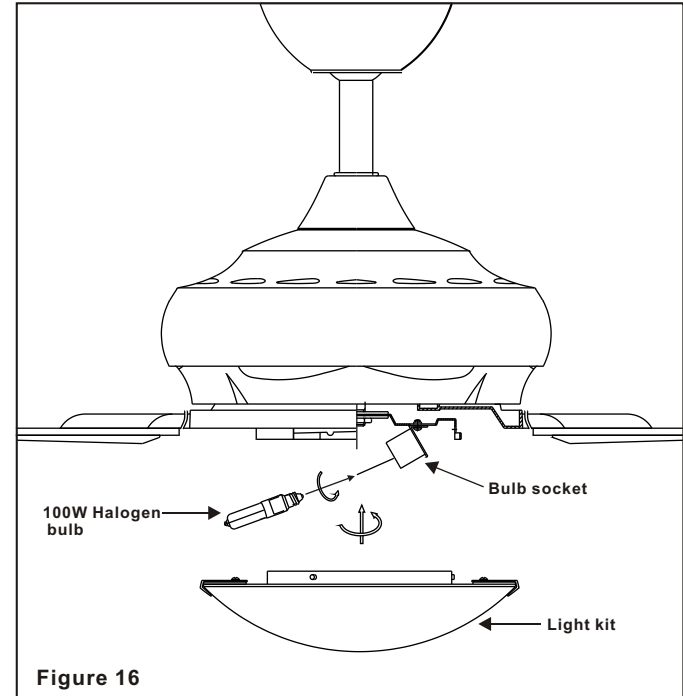


**WARNING:** Shut off the power supply before removing or replacing lamp. In handling of halogen bulb, care should be taken not to touch it with your bare hands. Oil residue will shorten the life of the halogen bulb. If you accidentally come into contact, wipe thoroughly with a clean, lint-free, cotton cloth. Allow the bulb to cool off for 10 minutes before changing the bulb. Use light bulb in accordance with the fan's specification. **TO REDUCE THE RISK OF FIRE DO NOT EXCEED MAXIMUM WATTAGE RATING.**

**ATTENTION:** The Energy Policy Act of 2005 requires this fan to be equipped with a 190 watt limiting device. If lamping exceeds 190 watts, the ceiling fan's light kit will shut off automatically.

**Step 1.** Install 100W halogen bulb (included). (Fig. 16).

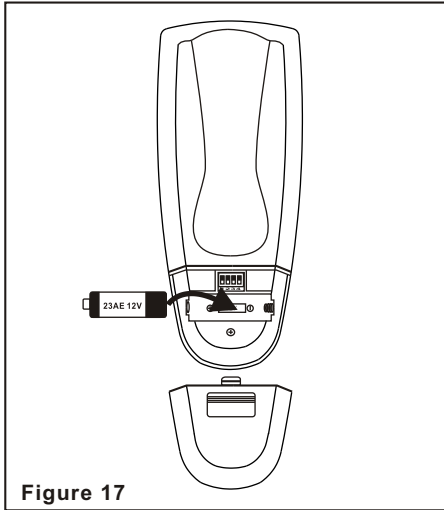
**Step 2.** Raise light kit up against bottom of fan housing and secure it to fan by twisting glass clockwise until snug. DO NOT OVERTIGHTEN. (Fig. 16)



## *8. Installing the Light Bulb & Glass Shade*

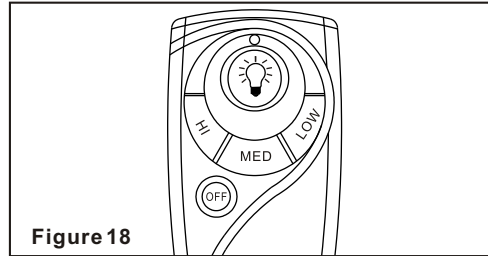
## Installing the battery:

Install **12V MN21/A23** battery (not included). If the transmitter will not be used for long periods remove the battery to prevent being damaged.



## Restore power to the ceiling fan and test for proper operation.

1. **"HI, MED, LOW"** buttons:  
These three buttons are used to set the fan speed as follows:  
**LOW**=Low speed **MED**= Medium speed  
**HI**=High speed
2. **"OFF"** button:  
This button turns the fan off.
3. The "💡" button turns the light ON or OFF and also controls the brightness setting. Press and release the button to turn the light ON or OFF. Press and hold the button to set the desired brightness. The light key has an auto-resume, it will stay at the same brightness as the last time it was turned off.



Speed settings for warm or cold weather depend on factors such as room size, ceiling height and number of fans, etc.

The Reverse switch is located on the top of motor housing. Slide the switch to the Left for warm weather operation. Slide the switch to the Right for cool weather operation.

**NOTE:** Wait for fan to stop before changing the setting of the slide switch.

Warm weather - (Forward) A downward air flow creates a cooling effect as shown in Figure 19. This allows you to set your air conditioner on a higher setting without affecting your comfort. Slide the switch to the left for the forward direction.

Cool weather - (Reverse) An upward airflow moves warm air off the ceiling area as shown in Figure 20. This allows you to set your heating unit on a lower setting without affecting your comfort. Slide the switch to the right for the reverse direction.

# *Operating the Transmitter 9.*

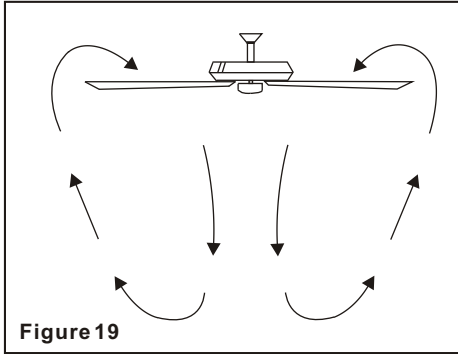


Figure 19

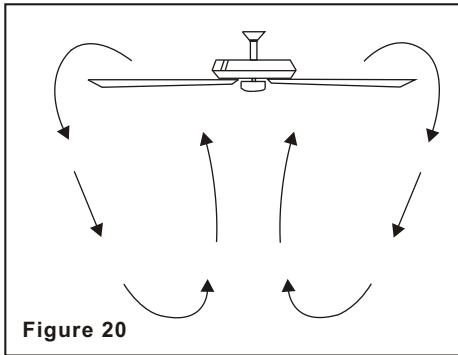


Figure 20

## Installing the Transmitter Holder

1. Remove the two plugs from the holder. Note that the plugs have unique tabs that allows them to fit only in one hole. (Fig. 21)
2. Attach the holder with the two screws provided.
3. Replace the two plugs each into its own hole.

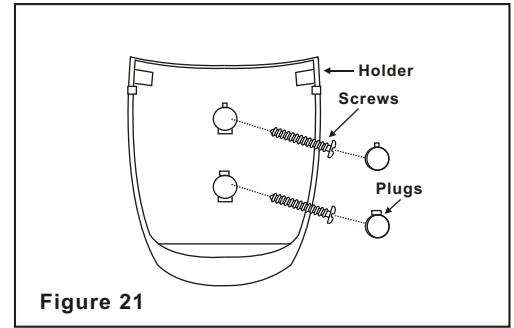


Figure 21

Here are some suggestions to help you maintain your fan

1. Because of the fan's natural movement, some connections may become loose. Check the support connections, brackets, and blade attachments twice a year. Make sure they are secure. (It is not necessary to remove fan from ceiling.)

2. Clean your fan periodically to help maintain its new appearance over the years. Use only a soft brush or lint-free cloth to avoid scratching the finish. The plating is sealed with a lacquer to minimize discoloration or tarnishing. Do not use water when cleaning. This could damage the motor, or the wood, or possibly cause an electrical shock.

3. Use only a soft brush or lint-free cloth to avoid scratching the finish. The plating is sealed with a lacquer to minimize discoloration or tarnishing.

4. You can apply a light coat of furniture polish to the wood blades for additional protection and enhanced beauty. Cover small scratches with a light application of shoe polish.

5. There is no need to oil your fan. The motor has permanently lubricated bearings.

6. All glass should be cleaned using lukewarm soapy water and a soft cloth or sponge.

**DO NOT IMMERSE GLASS IN HOT WATER. DO NOT PUT GLASS INTO AN AUTOMATIC DISHWASHER.**

**WARNING: Make sure the power is off at the electrical panel box Before you attempt any repairs. Refer to the section, "Making Electrical Connections".**

For any additional information on your Hampton Bay Ceiling Fan, please write to:

**THE HAMPTON BAY FAN & LIGHTING CO.  
P. O. Box 395  
Norco, CA 92860**

**Call toll free 1-800-527-0998**

## *10. Care of Your Fan*

## Problem

## Solution

Fan will not start.

1. Check circuit fuses or breakers.
2. Check line wire connections to the fan and switch wire connections in the switch housing.  
**CAUTION:** Make sure main power is off.
3. Check to make sure the dip switches from the transmitter and receiver are set to the same frequency.

Fan sounds noisy.

1. Make sure all motor housing screws are snug.
2. Make sure the screws that attach the fan blade bracket to the motor hub is tight.
3. Make sure wire nut connections are not rubbing against each other or the interior wall of the switch housing.  
**CAUTION:** Make sure main power is off.
4. Allow a 24-hour "breaking-in" period. Most noise associated with a new fan disappears during this time.
5. If using an optional light kit, make sure the screws securing the glassware are tight. Check that the light bulb is also secure.
6. Do not connect the fan with a wall mounted variable speed control (s)
7. Make sure the upper canopy is a short distance from the ceiling. **It should not touch the ceiling.**

Remote control malfunction.

1. Do not connect the fan with a wall mounted variable speed control (s).
2. Check to make sure the dip switches from the transmitter and receiver are set to the same frequency.

Lights shut off and will not come back on.

1. This unit is equipped with a wattage limiting device. Lamping in excess of 190 watts will disable your ceiling fan's light kit. To reset your light kit you must turn the power off and re-lamp, keeping the wattage under 190 watts. Restore power to your ceiling fan and continue normal operation.

Fan Wobble.

- NOTE:** All blade sets are grouped by weight. Because wood and plastic blades vary in density, the fan may wobble even though blades are matched.
1. Make sure all blade attachment screws are tight.
  2. Make sure Outlet box is secured to building structure, if necessary use the wood screws provided to further secure outlet box to joist.
  3. Make sure Hanger Bracket is secure to the outlet box, screws are tight.
  4. Use the balancing kit provided if the wobble is excessive (follow instructions included with balancing kit)

# *Troubleshooting 11.*

Fan Size	Speed	Volts	Amps	Watts	RPM	CFM	N.W.	G.W.	C.F.
<b>54" (137 cm)</b>	<b>Low</b>	<b>120</b>	<b>0.37</b>	<b>16</b>	<b>65</b>	<b>1035</b>	<b>11.8 kgs (25.98 lbs)</b>	<b>13.35 kgs (29.40 lbs)</b>	<b>2.15'</b>
	<b>Medium</b>	<b>120</b>	<b>0.56</b>	<b>44</b>	<b>115</b>	<b>3100</b>			
	<b>High</b>	<b>120</b>	<b>0.65</b>	<b>78</b>	<b>170</b>	<b>5600</b>			

These are typical readings. Your actual fan may vary. They do not include Amps and Wattage used by the light kit.

Distributed by  
Home Depot U.S.A., Inc.  
2455 Paces Ferry Rd., N.W.  
Atlanta, GA 30339

## *12. Specifications*